



Product number 801-172-12

GENERAL INFORMATION

State Automation's Solution Cool is the most innovative and flexible phase-controlled dimmer available today. Advanced Phase Control (APC) is not revolutionary but evolutionary: it creates a new generation of dimmers with low power loss and greatly increases the range of switchable loads that may be controlled by the dimmer channels. Designed specifically for both architectural and entertainment applications, the Solution Cool comes in a range of current outputs from 5A to 20A. Special models are also available with lower channel numbers and higher output currents—up to 10kW per channel! The dimmer may be wall-mounted or 19" rack-mounted or even hung from an entertainment lighting bar.

APPLICATIONS

- Opera and Theatres
- Production studios
- Multi-purpose conference and exhibition venues
- Entertainment venues and Architectural installations

FEATURES

- European configuration
- DMX 512
- C-Bus architectural control
- RCBO per channel
- Hot Power switch panel
- Status display & error messaging

BENEFITS

- Cost saving "green" technology:
Increased efficiency gives the Solution Cool the status of "green and clean" as it dissipates up to 50% less heat than competition products. Air conditioning costs are lower and the previously wasted voltage/power is now delivered to the load.
- Flexible channel usage:
When used with the special "Relay Curve", APC allows the dimmer channels to be utilised as a pure switching element. This allows non-dimmable loads such as motors and HID lamps to be powered from standard dimmer circuits without the need for additional special relay modules.
- Emergency lighting provision:
Many installations require a separate circuit from the dimmer to power emergency exit lights. The Solution Cool has an allowance for an additional breaker for this purpose. The breaker may be factory or retro fitted to the dimmer.
- Standard DMX interface:
Every Solution Cool is fitted with a DMX interface. This allows the unit to be used in entertainment venues for both house lighting and stage lighting, school halls, pubs and clubs, anywhere where a mixture of dynamic lighting control is required.



Technical Specifications

Mechanical	
Physical Dimension (mm)	524.6 (H) x 480 (W) x 165.3 (D)
Weight	26 Kg
Rack Unit (RU)	12
Power supply	
Supply Voltage Mini - Maxi - Nominal	180-265-230V
Frequency	40-80 Hz
Minimum load	0W
RCD rating	30mA
Switching technology	APC
Thermal	
Max. Ambient temp.	40°C
Fan-forced airflow (from bottom to top)	Low-noise, temperature controlled fan
Electrical	
Rise Time	200µs

BENEFITS

- Compact solution: rack-mounted, wall-mounted or bar-mounted.

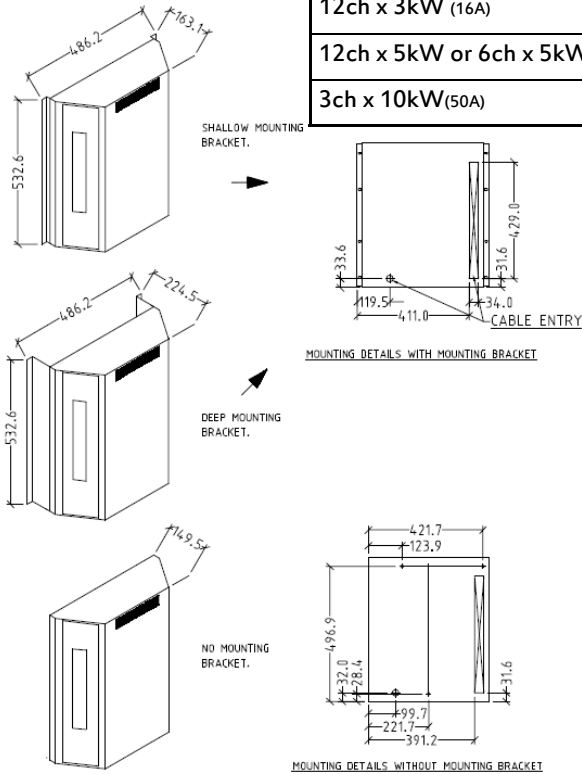


Standard Configurations (230V)
12ch x 2.4kW (10A)
12ch x 2.5kW (12A)
12ch x 3kW (16A)
12ch x 5kW or 6ch x 5kW (25A)
3ch x 10kW (50A)

Product number 801-172-12

ORDERING INFORMATION

Part Number	Description
Solution Cool wall-mount Au dimmers	
801-172-12	Solution Cool APC - 12ch
801-172-06	Solution Cool APC - 6 ch
801-172-03	Solution Cool APC - 3 ch



SOLUTION COOL BUILD OPTIONS/KITS

Description	Model Code
Circuit Breaker 10A 1P Kit	/10
Circuit Breaker 12A 1P Kit	/12
Circuit Breaker 16A 1P Kit	/16
Circuit Breaker 20A 1P Kit	/20
Circuit Breaker 25A 1P Kit (6 Channel)	/25
Circuit Breaker 10A 1P+N Kit	/10N
Circuit Breaker 13A 1P+N Kit	/13N
Circuit Breaker 16A 1P+N Kit	/16N
Circuit Breaker 20A 1P+N Kit	/20N
Circuit Breaker 25A 1P+N Kit (6 Channel)	/25N
RCD 63A Kit	/R63
RCD 80A Kit	/R80
Circuit Breaker 25A x 6 1P Kit	/25S
Quiet 12A 1P Kit	/12Q
Quiet 13A 1P+N Kit	/13NQ
Auxiliary CB Kit	/A1
RCBO 10A Kit	/10NO
BYPASS PANEL (5KW)	/BP1
BYPASS PANEL (2K4)	/BP2
BYPASS PANEL (3KW)	/BP3

SOLUTION COOL BUILD OPTIONS/KITS

Description	Model Code
DMX Connector Kit Standard	/D
Shallow Mounting Bracket Kit Standard	/M3
Deep Mounting Bracket Kit Standard	/M4
Hook Clamp Bracket Kit	/H
C-Bus Kit SA	/C2
GPO Kit SA EU (24) DOUBLE	/G3
GPO Kit SA (6) 32A CEE form (6 Channel)	/G12
Socapex Kit (x 2 12 channel)	/SX1
3Ø Tail	/T1